

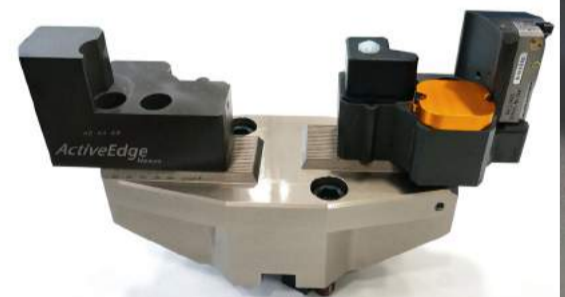
ActiveEdge

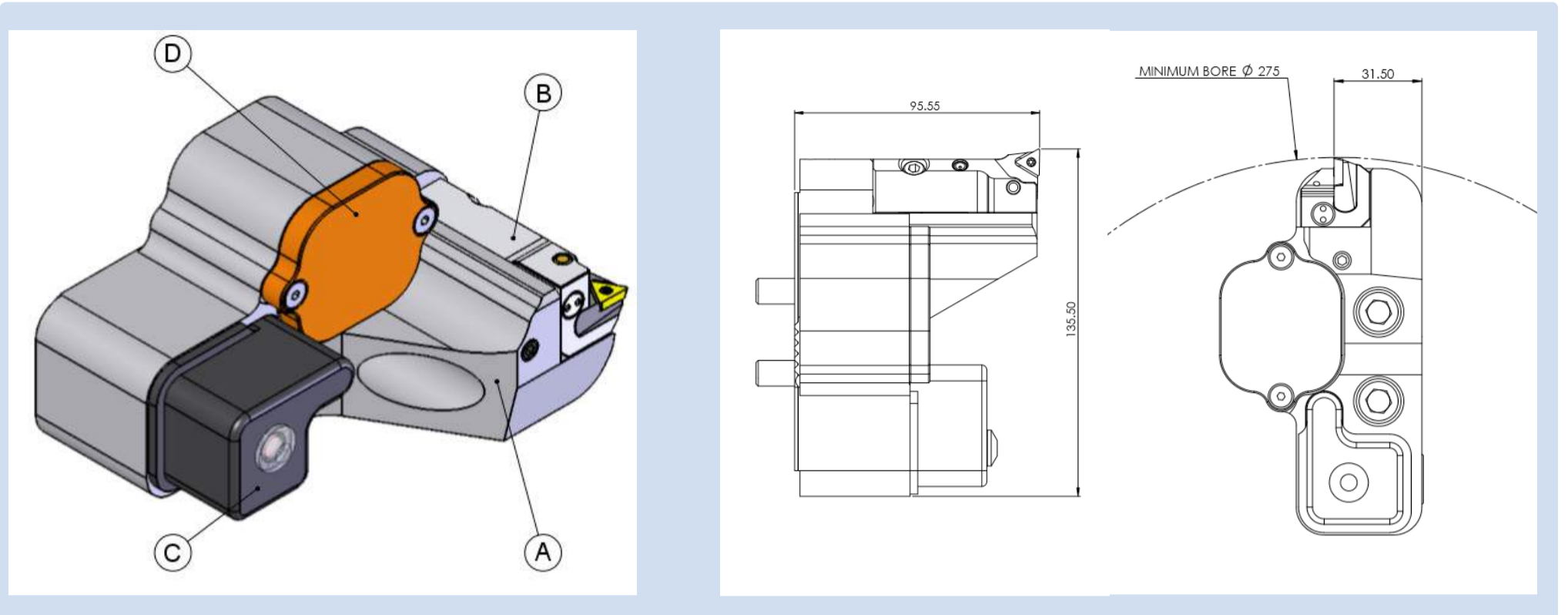
Precision Performance on Large Diameter Boring

Nexus

Micron Accurate Wireless Adjustment on Large Diameter
Finish Boring - Modular Solution

Rigibore® The Most Accurately Adjustable Boring Tools in the World





A) ActiveEdge Nexus

B) ActiveEdge Cartridge

Part Number	Insert	Insert Screw	Datum Radius	Approach *	Fine Adjustment Range Ø (mm)
AEF110390	TC..110304	RS2560	0.4	90°	0.6
AEF09T390	CC..09T304	RS4084	0.4	90°	0.6

*Other approach angles and insert geometries are available

C) Wireless and Control Hardware

D) Battery Compartment

4 Pcs - CR123A Lithium Batteries

ActiveEdge Nexus - Connecting Innovation

Rigibore's ActiveEdge Nexus provides precision performance wireless cutting edge adjustments on large diameter boring requirements from **Ø 275 mm (10.8268") – Ø 1020 (40.15748")**.

The ActiveEdge Nexus enables both coarse adjustment (set manually in the toolroom) and fine setting capabilities, in addition to the capability for automatic cutting-edge compensation in the machine tool.

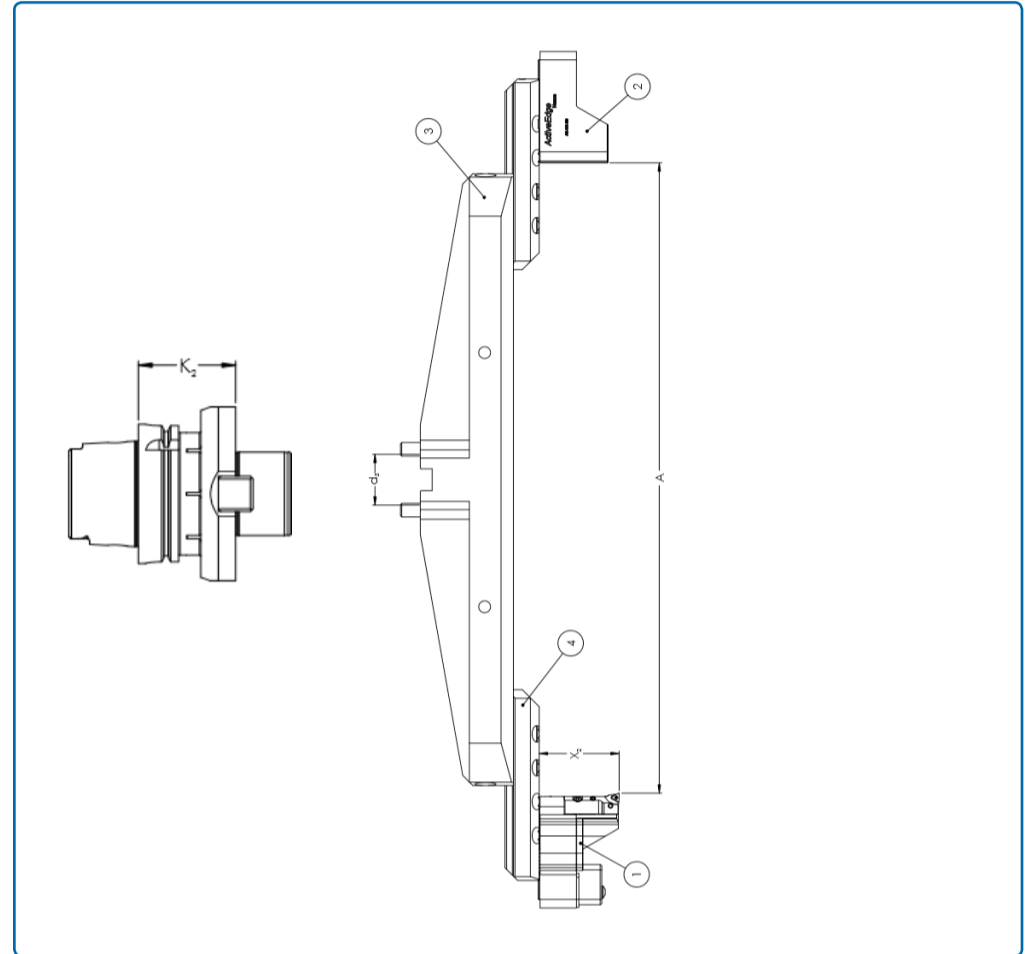
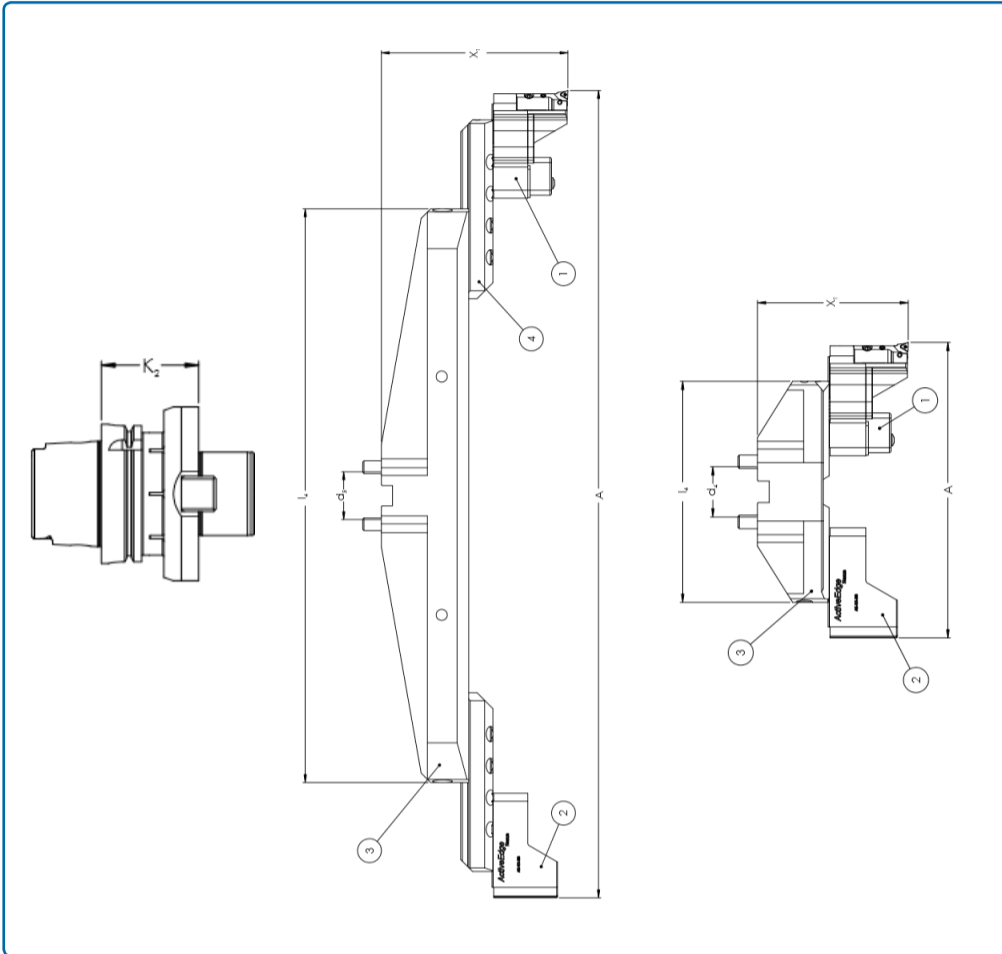
The Nexus is a self-contained module that can be added to standard flanges. The module comprises a wireless transceiver, battery and supports a micron adjustable ActiveEdge cartridge. ActiveEdge cartridges can be adjusted in the following ways: -

- 1. Manual Adjustment (ActiveEdge Remote Control)** – Simple, fast, and micron accurate wireless adjustments are made at the push of a button. This method removes the need for the operator to enter the machine envelope to physically adjust the tool.
- 2. Automatic Adjustment (Rigibore's Zenith Solution)** – This closed-loop manufacturing solution uses in-process measurement data to automatically adjust for temperature change, insert wear and material inconsistency. Precision cutting edge changes are made with no operator intervention, allowing productivity to be maximised whilst removing the risk of scrap.

Boring and Overturning Capabilities

Rigibore's ActiveEdge Nexus is flexible, offering the same precision performance capabilities for overturning operations as it does on standard boring.

Please see the below technical information on our boring and overturning capabilities with Rigibore's ActiveEdge Nexus.



Boring						
Cutting Range (mm)	(1) Nexus Module	(2) Balance Block	(3) Wohlhaupter Flange	(4) Flange Adapter	X1 (mm)	d5 (mm)
275 - 355	AE-NXF1..	AE-NX-BB	349 002	-	178.5	D60
350 - 430	AE-NXF1..	AE-NX-BB	349 003	-	178.5	D60
425 - 505	AE-NXF1..	AE-NX-BB	349 004	-	178.5	D60
465 - 745	AE-NXF1..	AE-NX-BB	349 005	AE-NX-FA	203.5	D60
740 - 1020	AE-NXF1..	AE-NX-BB	349 006	AE-NX-FA	203.5	D60

Overturning						
Cutting Range (mm)	(1) Nexus Module	(2) Balance Block	(3) Wohlhaupter Flange	(4) Flange Adapter	X2 (mm)*	d5 (mm)
Note 1	AE-NXF1..	AE-NX-BB	349 002	-	93.5	D60
Note 1	AE-NXF1..	AE-NX-BB	349 003	-	93.5	D60
Note 1	AE-NXF1..	AE-NX-BB	349 004	-	93.5	D60
190-460	AE-NXF1..	AE-NX-BB	349 005	AE-NX-FA	93.5	D60
455-735	AE-NXF1..	AE-NX-BB	349 006	AE-NX-FA	93.5	D60

Note 1: Please contact Rigibore for more information.

*Cutting length can be increased with custom spacers. Please contact Rigibore for more details.

Shank Adaptor		
Shank Type	Part Number	Wohlhaupter Flange
BT50	198 055 T 008 296-0	349 002/3/4/5/6
7388/DIN 69871-50	198 081 T 019 539	349 002
7388/DIN 69871-50	198 081 T 019 539	349 003/4/5/6
HSK100A	258 098	349 002
HSK100A	258 061	349 003/4/5/6
MVS100	209 043	349 002/3/4/5/6

Other shank types are available. Please contact Rigibore.



Remote Adjustment

AE-RC...